



Sharing your passion for making jewelry.
Products. Service. Know-how.

Easy-Cut Prong Guide Instructions

Congratulations on your purchase of the Allset® Easy-Cut Prong Guide. With this remarkable prong-cutting aid, you can create level, uniform and precise cuts easily and repeatedly, time after time. Its unique design ensures a level and uniform-height cut on square, round or any other shape of prong. It also includes a unique, adjustable stop guide in the back that precisely controls the depth of each cut.



With the Easy-Cut Prong Guide you can:

- cut perfectly level stone seats regardless of the setting shape—it is perfect for 45°, 70° and 90°, so you can even cut perfect seats in the prongs of large pendants, basket settings, solitaire mountings and more.
- gain precise, accurate control over the depth of cut so that finished prongs are stronger.
- adjust and position the setting precisely so the bur won't grab or roll itself around the prongs, preventing the scratching that can result.
- reduce stone breakage because you don't have to force prongs while setting.

And, like every Allset kit and component, the Easy-Cut Prong Guide is made in the USA of highly durable materials and is designed to stand up to multiple demands and configurations.



Safety Notes

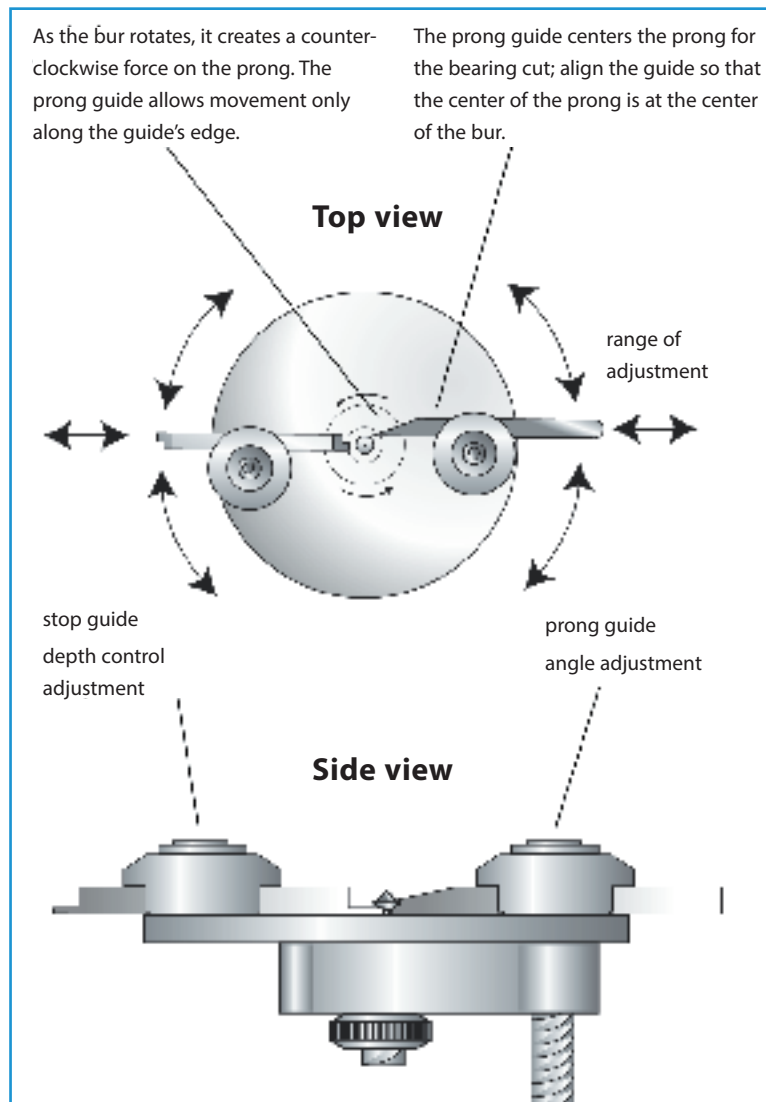
1. Always use eye protection when cutting prongs and channels with your Allset® Easy-Cut Prong Guide or when using any power tool.
2. Some prong-cutting operations may require close placement of the hands to sharp, cutting edges. To avoid injury, please pay careful attention to hand placement, avoid distractions and do not operate prong-cutting equipment without your full attention.
3. For safety and effectiveness with any power tool, maintain a clean work surface and a clean general work area.

Starting Out

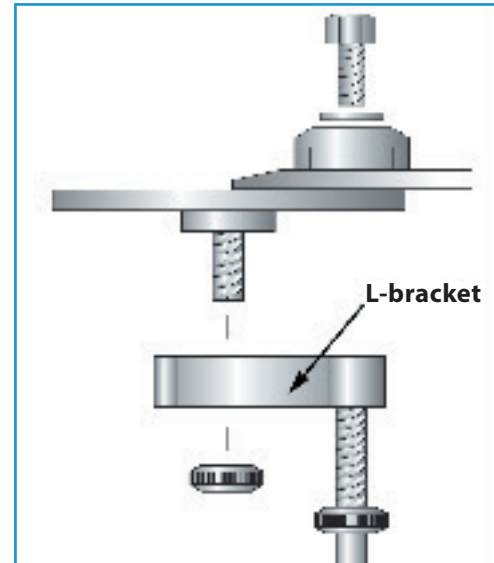
To use the Easy-Cut Prong Guide with the Foredom® 30° handpiece you will need the Allset® handpiece attachment with L-bracket that is included with Allset Master Kit or the Prong Guide, Pavé or Channel Kits (see riogrande.com or your *Rio Grande Tools & Equipment* catalog). The illustration at right shows the proper assembly.

To use the Easy-Cut Prong Guide with a Foredom® No. 10°, No. 18° or No. 52° handpiece, you will need the Allset® Quick-Change Adapter Kit made for the model handpiece you have. The illustration below right shows the proper assembly.

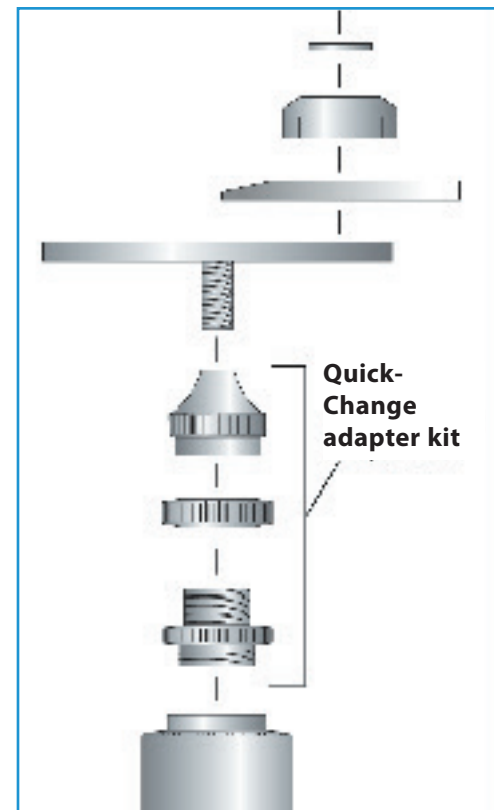
The illustration below shows the Easy-Cut Prong Guide as it is properly set up and briefly describes its operation and range of guide adjustments.



Assembled view showing guide adjustments.



Exploded view of the Easy-Cut Prong Guide as it is mounted on the L-bracket for use with the Foredom® No. 30° handpiece.



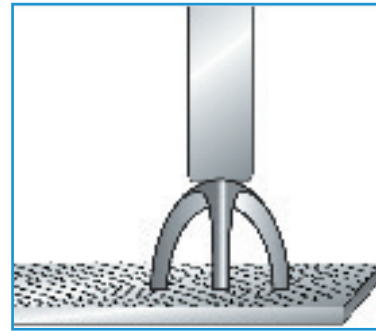
Exploded view of the Easy-Cut Prong Guide as it is mounted on the Foredom® No. 10°, No. 18° or No. 52° handpiece using the Quick-Change Adapter Kit.

Please Note: The No. 18 handpiece requires that the finger nut (included) be installed for proper operation.

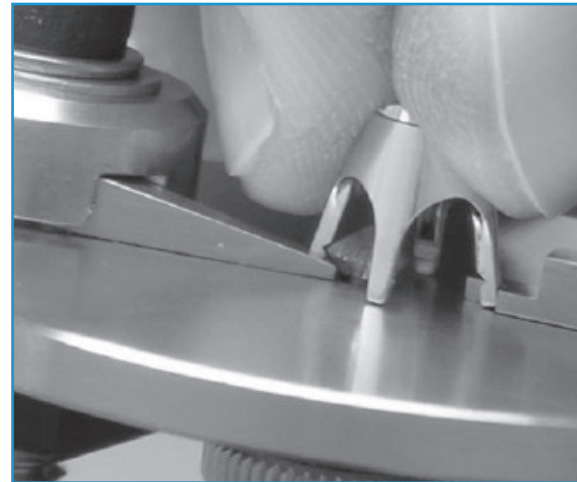
Using the Easy-Cut Prong Guide:

1. Make sure all prongs are at the same angle. File the tops of the prongs so they are the same height and level with one another. Choose the guide size that will allow all of the prongs in your setting to sit on the table between the bur and the edge of the table.
2. Choose a low-speed bur that will make a cut appropriate for the stone (usually a 90° hart bur). Fine-cut, low-speed burs will work the best without chatter and skip.
3. Make the cuts by moving the prongs across the bur, perpendicular to the inward direction of the cut. Cut about a third of the way into the prong, depending on how thick the prongs are.

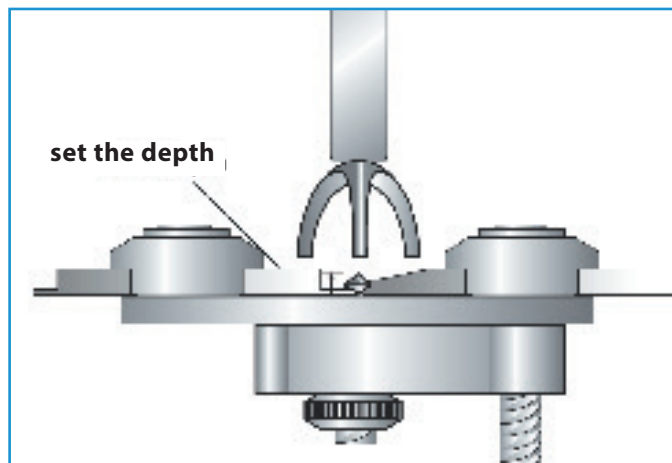
Many large colored stones have extra-thick girdles or some other irregularity. You will have to judge if cuts need to be wider or at different levels. Be sure to mark the stone and the setting for position as you try the fit and make adjustments. Well-cut stones benefit from settings made with AllSet® guides because there is little or no unusual torque or pressure from uneven cuts.



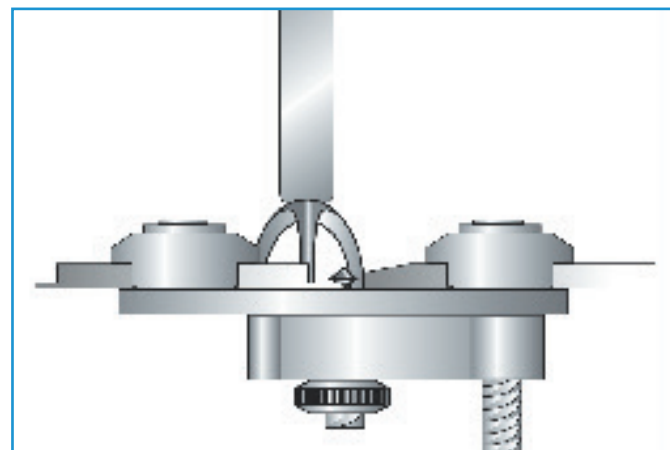
Make sure each prong is at the same angle and is the same length. File the top of the prongs flat.



Check to be sure that the piece sits level on the table without wobbling.



Adjust the bur's height for the proper stone set.



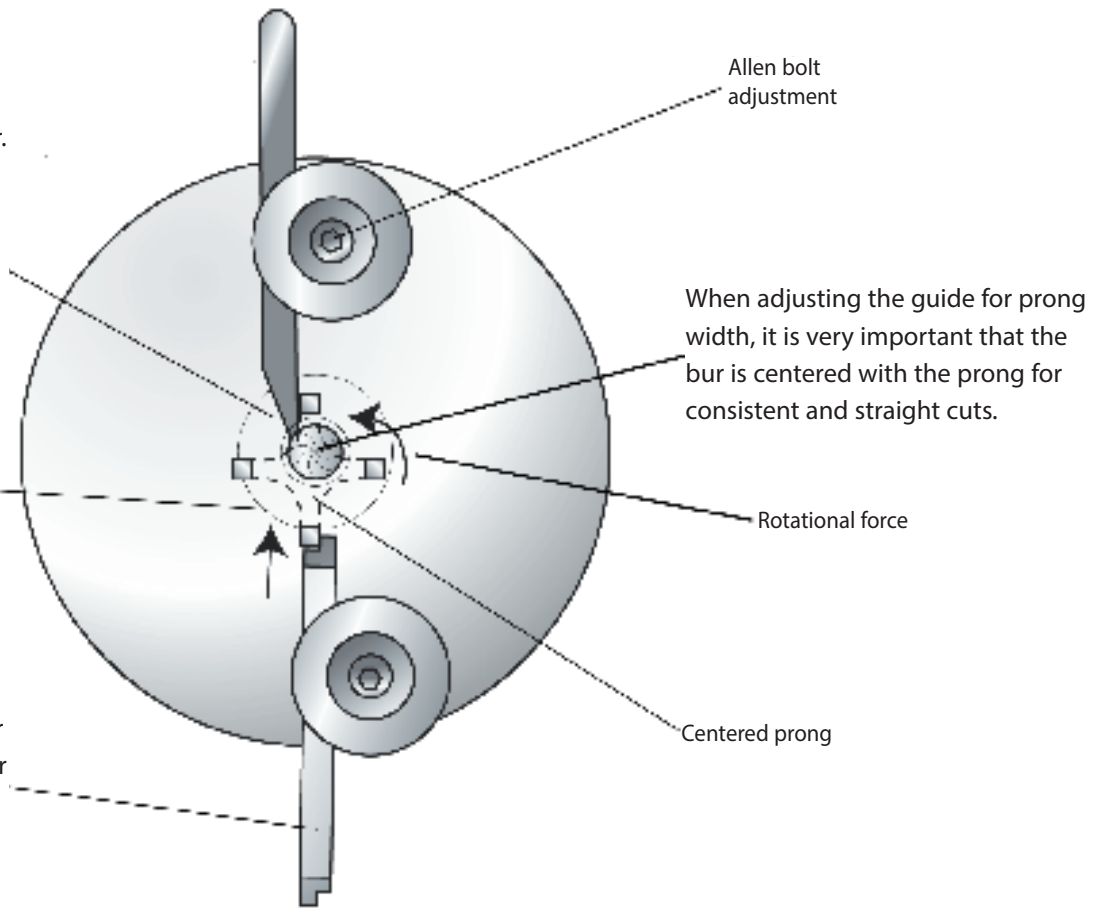
Position the piece on the table using the prong guide and depth control guide. Rotate the bur slowly at first while making the cut into the prong.

Easy-Cut Prong Guide Instructions

The end of the fence guide should be positioned slightly underneath the bur. This will prevent the prong from lipping between the bur and the guide.

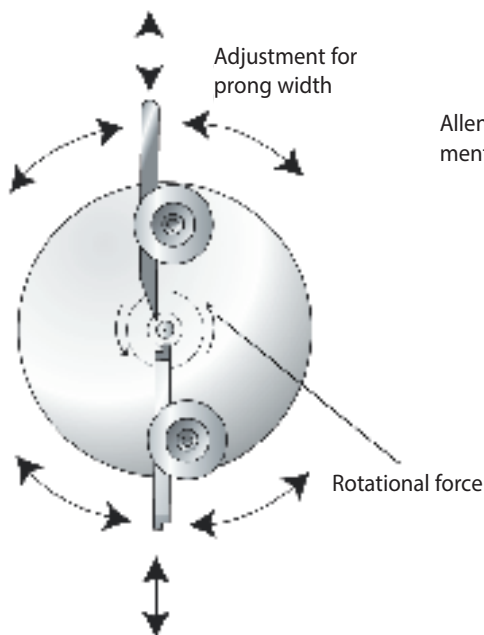
Prong setting with prong tips on the table.

The stop guide (depth control) is not necessary for all settings. Use it whenever the depth of the prong cut is critical to the setting.

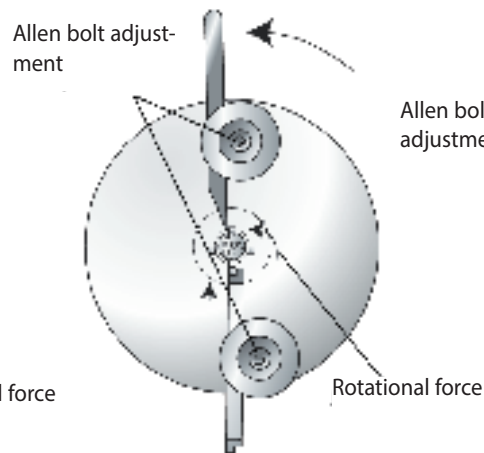


The Easy-Cut Prong Guide offers a wide range of adjustability.

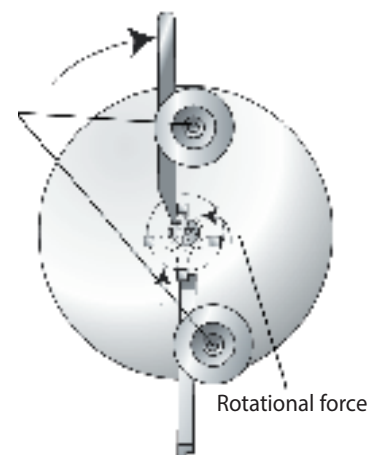
Adjustment for prong height

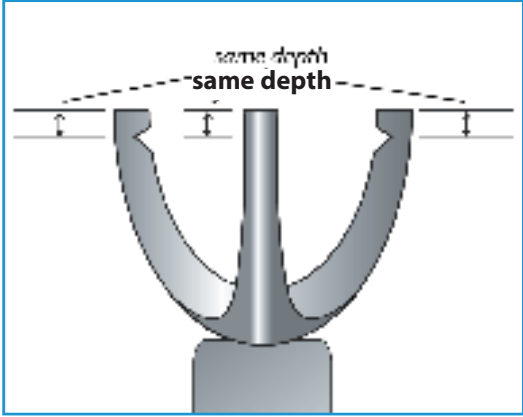


Adjustment for smaller settings/prongs

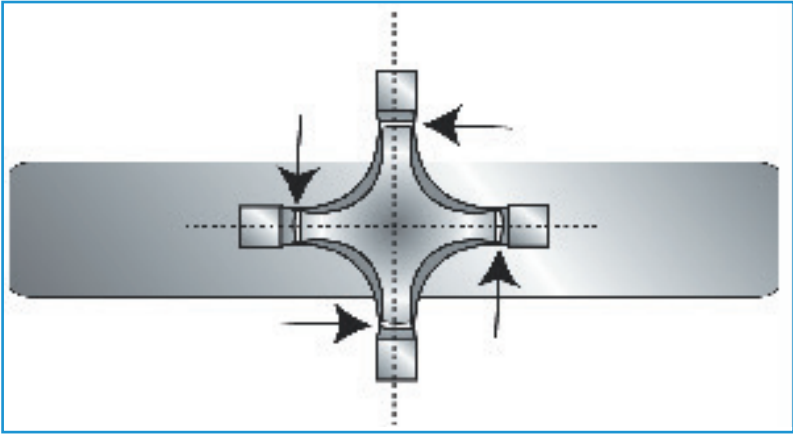


Adjustment for larger settings/prongs



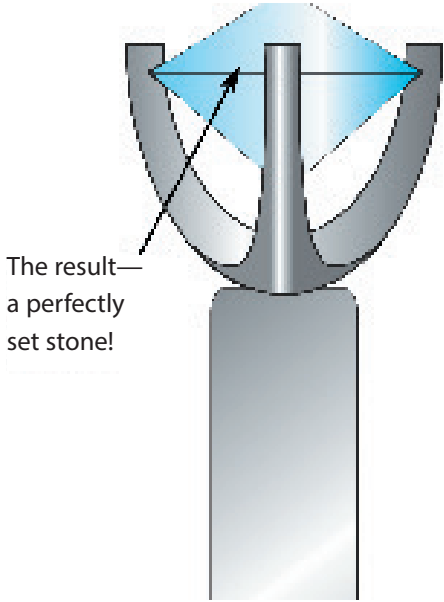
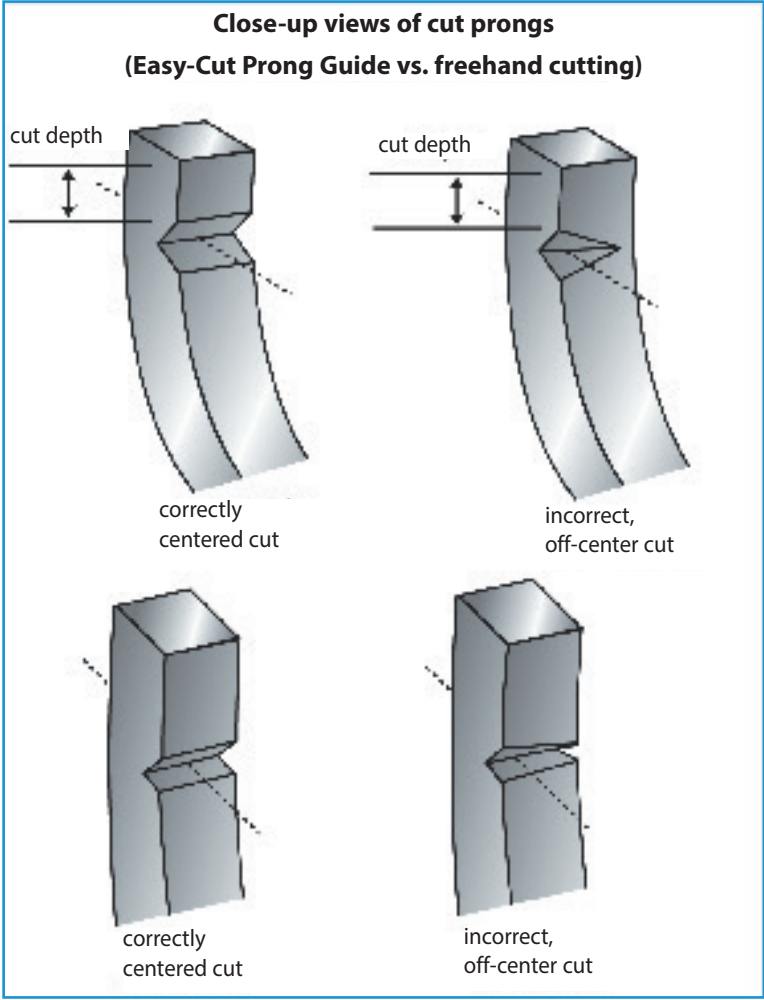


Side view of ring setting showing center-cut prongs with evenly cut heights.



Top view of ring setting showing center-cut prongs with evenly cut heights.

The Easy Cut Prong Guide produces consistent settings with perfectly even height and depth cuts.



The result—a perfectly set stone!